

PLEASE CHECK WWW.MOLEX.COM FOR LATEST PART INFORMATION

Part Number: [0945120201](#)
Status: **Active**
Description: Quick Disconnect, High Reliability Terminal (HRT), Female for 1.00-2.50mm² (10-18 AWG) Wire, Accepts 6.30mm (.250") x 0.81mm (.032") Tab

Documents:

[Drawing \(PDF\)](#) [RoHS Certificate of Compliance \(PDF\)](#)

General

Product Family	Quick Disconnects
Series	94512
Crimp Quality Equipment	Yes
Product Name	N/A
Type	Quick Disconnect

Physical

Barrel Type	Open
Gender	Female
Glow-Wire Compliant	No
Insulation	None
Lock to Mating Part	None
Material - Metal	Brass
Material - Plating Mating	Tin
Material - Plating Termination	Tin
Orientation	Straight
Packaging Type	Reel
Polarized to Mating Part	Yes
Tab Thickness	0.81mm (.032")
Tab Width	6.35mm (.250")
Temperature Range - Operating	-25°C to +55°C
Termination Interface: Style	Crimp or Compression
Wire Size AWG	10, 14, 16, 18, 24
Wire Size mm ²	1.00 - 2.50

Electrical

Voltage - Maximum	250V
-------------------	------

Material Info

Reference - Drawing Numbers

Sales Drawing	SD-94512-004
---------------	--------------

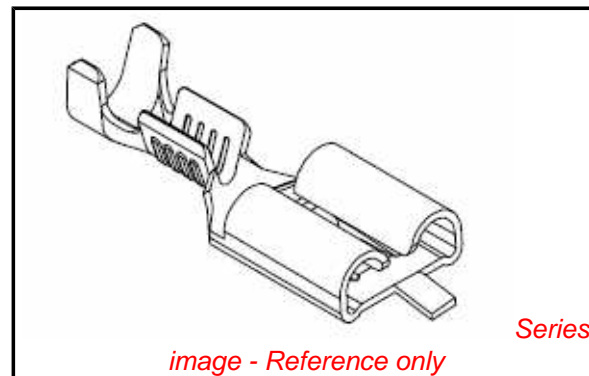


image - Reference only

EU RoHS
ELV and RoHS
Compliant
REACH SVHC
 Not Reviewed
Halogen-Free
Status
 Not Reviewed

China RoHS



Need more information on product environmental compliance?

Email productcompliance@molex.com
 For a multiple part number RoHS Certificate of Compliance, [click here](#)

Please visit the [Contact Us](#) section for any non-product compliance questions.

Search Parts in this Series

[94512Series](#)

Use With

[94090](#) Quick Disconnect Housing

Application Tooling | FAQ

Tooling specifications and manuals are found by selecting the products below. Crimp Height Specifications are then contained in the Application Tooling Specification document.

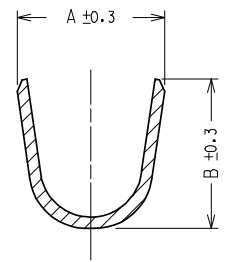
Global

Description	Product #
Mini-Mac™ Applicator, Use with Applicator Rear Feed Hand Crimp Tool for Quick Disconnect, High Reliability Crimp Terminals (HRT), Female for 1.00-2.50mm ²	0638042000 0638194200

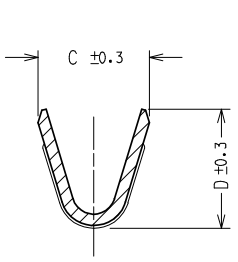
This document was generated on 03/29/2010

PLEASE CHECK WWW.MOLEX.COM FOR LATEST PART INFORMATION

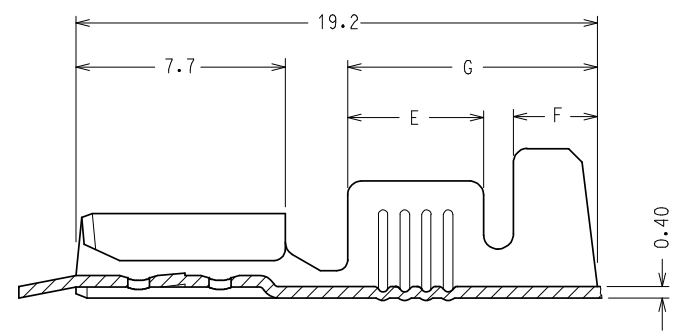
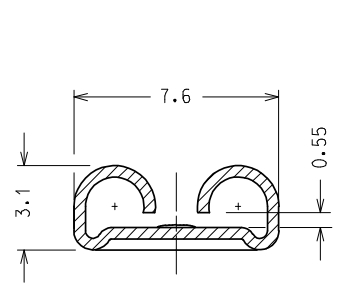
SEZIONE C - C



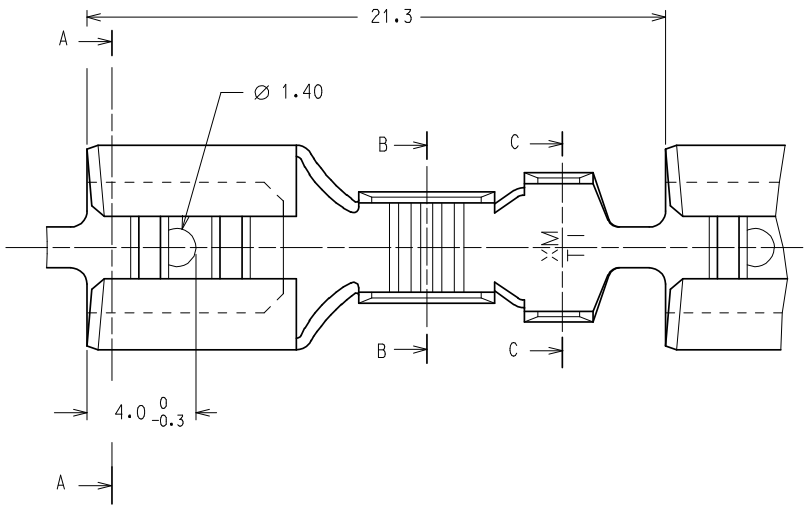
SEZIONE B - B



SEZIONE A - A



CODICE P/N	FINITURA PLATING	MATERIALE MATERIAL	SEZ. RAME WIRE RANGE (mm ²)	Ø ISOLANTE INS. RANGE (mm)	DIMENSIONI / DIMENSION (mm)							PZ/BOBINA PCS/REEL	S.P.Q.
					A	B	C	D	E	F	G		
94512-0000	GREGGIO/ UNPLATED	OTTONE/ BRASS	0.2 ↔ 0.5	1.2 ↔ 2.1	3.0	2.9	2.3	2.3	3.1	1.8	6.3	7.000	21.000
94512-0001	STAGNATO/ TIN	OTTONE/ BRASS											
94512-0100	GREGGIO/ UNPLATED	OTTONE/ BRASS											
94512-0101	STAGNATO/ TIN	OTTONE/ BRASS											
94512-0111	NICHELATO/ NICKEL	ACCIAIO/ STEEL	0.5 ↔ 1.0	2.0 ↔ 3.3	4.5	4.5	3.0	3.0	4.2	2.4	8.2	7.000	21.000
94512-0130	GREGGIO/ UNPLATED	ALPACCA/ PACKFONG											
94512-0200	GREGGIO/ UNPLATED	OTTONE/ BRASS											
94512-0201	STAGNATO/ TIN	OTTONE/ BRASS											
94512-0211	NICHELATO/ NICKEL	ACCIAIO/ STEEL	1.0 ↔ 2.5	2.7 ↔ 4.3	5.5	5.5	4.1	4.3	5.0	3.1	9.1	6.000	18.000
94512-0230	GREGGIO/ UNPLATED	ALPACCA/ PACKFONG											
94512-0301	STAGNATO/ TIN	OTTONE/ BRASS											
94512-0311	NICHELATO/ NICKEL	ACCIAIO/ STEEL	2.5 ↔ 6.0	3.8 ↔ 5.1	6.0	6.4	5.4	5.6	5.0	3.1	9.1	5.000	15.000



Confezione Standard: 3 Bobine x Scatola

Caratteristiche di Prodotto secondo PS 94512-001

Packaging: 3 Reels x Box

Product Characteristics according to PS 94512-002

Std. Descr.: HRT FEM TERM [material] [plating] [wire range]

EC NO: Z2008-0123 DRWIN:LSANNESS 2008/02/25 CH'KD:LSANNESS 2008/02/25 APPR:GZUIN 2008/02/25	QUALITY SYMBOLS ▽=0 ▽C=0	GENERAL TOLERANCES (UNLESS SPECIFIED)		DIMENSION STYLE MM ONLY		SCALE 5:1	DESIGN UNITS METRIC	FIRST ANGLE PROJECTION		
				mm	INCH	DRAWN BY DATE F. GOTTARDO 1989-12-01		HIGH RELIABILITY FEMALE TERMINAL 6.3 X 0.8		
						CHECKED BY DATE M. PREVIATO 1989-12-01				
						APPROVED BY DATE R. MARTUCCI 1989-12-01		MOLEX INCORPORATED SD-94512-004		
						MATERIAL NO. See chart				
		DRAFT WHERE APPLICABLE MUST REMAIN WITHIN DIMENSIONS		SIZE A3		THIS DRAWING CONTAINS INFORMATION THAT IS PROPRIETARY TO MOLEX INCORPORATED AND SHOULD NOT BE USED WITHOUT WRITTEN PERMISSION				